

LOMBRICO (Ø250 mm)

Lombrico, in the last few years, has become a very dependable product for any cleaning and reclaiming operation in confined spaces and suspected of pollution, contamination and explosion areas. Lombrico can easily work with suction excavators, vacuum trucks and industrial aspirators.



Dimensions

Length	2.100	[mm]
Height	650	[mm]
Width	500	[mm]
Width conf. Dozer	1.000	[mm]
Total weight	350	[Kg]

Suctionexcavator.com
GEROTTO



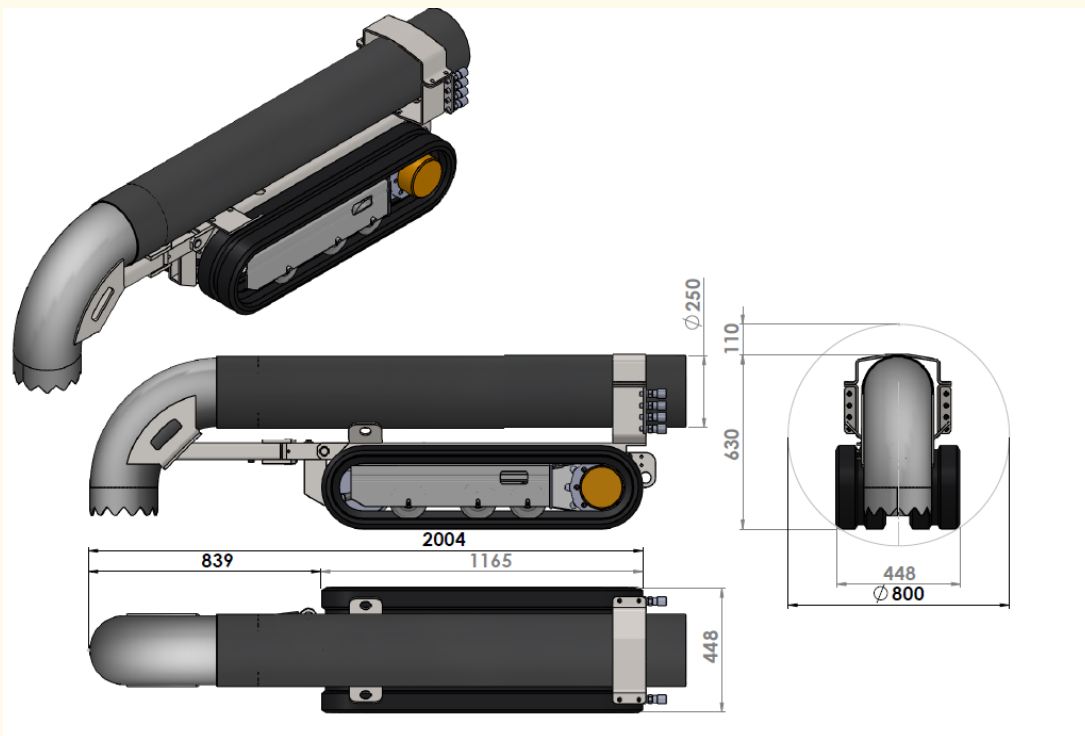
LOMBRICO (Ø250 mm)

TECHNICAL FEATURES

Lombrico is a tracked mini excavator powered by an external hydraulic system. The latter brings oil flow to a manual distributor directly connected to mini excavator that allows movements and tracks commands.

Lombrico has two rubber tracks with hydraulic motors.

Lombrico assembles also fast connectors for guaranteeing faster operations.



LOMBRICO (Ø250 mm)

System composition

System can be sold with an hydraulic power pack, manual distributor and 8x25 [m] 3/8" Gas hoses with fast connectors.

Possible power packs are:

- Gasoline 5.5 HP (12 l/min at 150 bar)
- Diesel 7.5 HP (14 l/min at 150 bar)
- Electric 3 KW (10 l/min at 150 bar)

On special request Lombrico could assemble a special Dozer blade for pushing material. In this configuration special counterweights could be implemented.



Suctionexcavator.com
GEROTTO