

GATTO

GATTO is a multifunctional and innovative micro excavator suitable for both construction and remediation activities. GATTO shows its best skills working in confined spaces and suspected of pollution and contaminations areas. It is particularly recommended for sewers and pipes cleaning.



DIMENSIONS & FEATURES

Length	2.150	[mm]
Height	1.100	[mm]
Width	500	[mm]*
Total weight	400	[Kg]

* 700 [mm] with suction hose predisposition in the middle



GATTO

ARM FEATURES

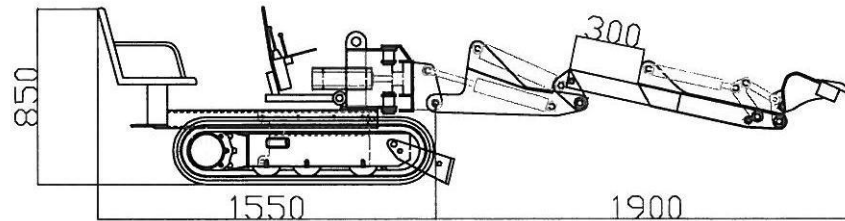
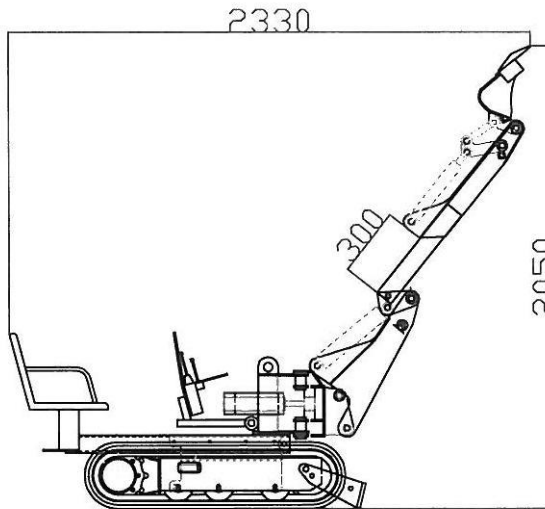
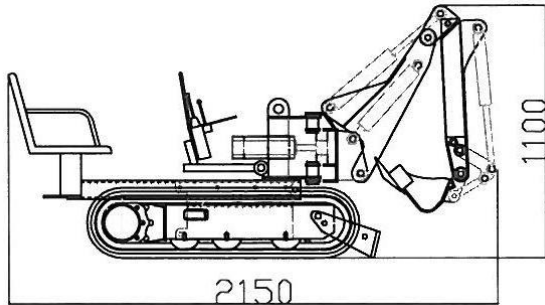
Maximum extension
1.900 [mm]

Maximum height
2.050 [mm]

TECHNICAL FEATURES

GATTO is a tracked micro excavator with an hydraulic manual control unit, operating by an external oil-pressure plant.

It is geared with fast connectors for being powered by an external power pack.



Suctionexcavator.com
GEROTTO



GATTO

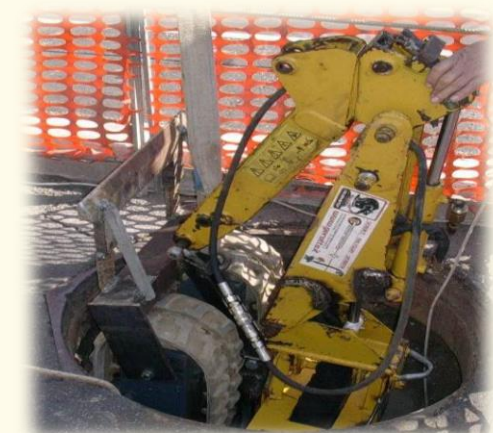
SYSTEM COMPOSITION

System could be sold with an hydraulic power pack and hydraulic hoses gas 1/2", with fast connectors, 25 [m] long.

Available power packs are:

- Gasoline 5.5 HP (12 l/min at 150 bar)
- Diesel 7.5 HP (14 l/min at 150 bar)
- Electric 3 KW (10 l/min at 150 bar)

On special request GATTO could be developed 800 [mm] high. Furthermore it can assemble special accessories such as cutting head and hydraulic hammer.



Suction excavator.com
GEROTTO