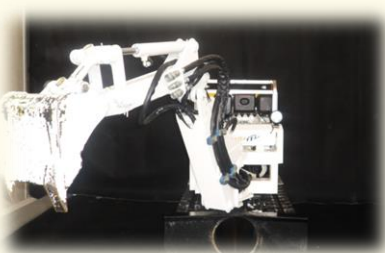
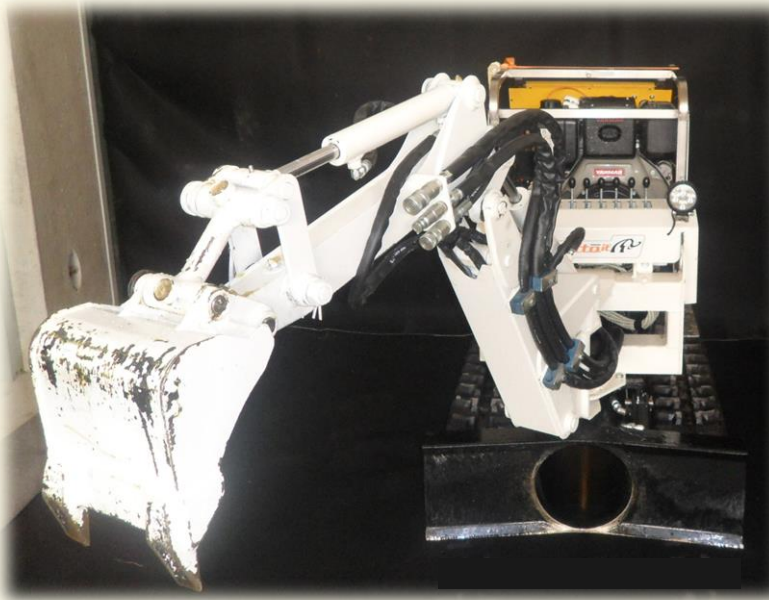
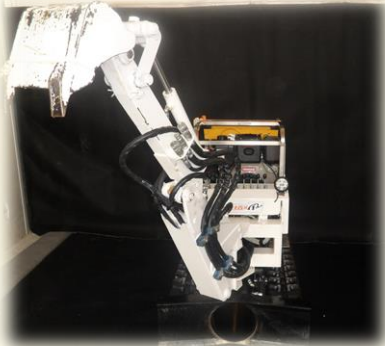


GATTO RC

GATTO RC is a multifunctional and innovative micro excavator suitable for both construction and remediation activities. GATTO RC shows its best skills working in confined spaces and suspected of pollution and contaminations areas. It is the right solution for safer operation at safe distance.



DIMENSIONS & FEATURES

Length	2.150	[mm]
Height	1.100	[mm]
Width	700	[mm]
Total weight	700	[Kg]

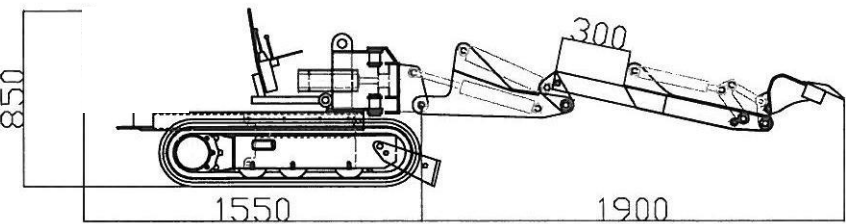
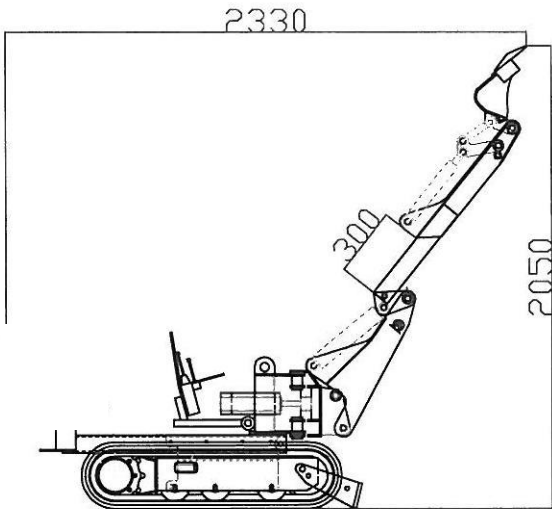


GATTO RC

ARM FEATURES

Maximum extension
1.900 [mm]

Maximum height
2.050 [mm]



TECHNICAL ADVANTAGES

- SAFER OPERATIONS due to radio control
- WORKING TIME SAVING
- OPERATIONS IN CONFINED and DANGEROUS SPACES
- EXCELLENT MANOEUVRABILITY



GATTO RC

SYSTEM COMPOSITION

System could be sold with an hydraulic power pack and hydraulic hoses gas 1/2", with fast connectors, 25 [m] long. Furthermore it can assemble special accessories such as cutting head and hydraulic hammer.

Available power packs are:

- Diesel 7.5 HP (14 l/min at 150 bar) for operations with shovel
- Diesel 10.5 HP (30 l/min at 150 bar) for operations with cutting head or hydraulic hammer
- Gasoline 5.5 HP (12 l/min at 150 bar) for operations with shovel
- Electric 3 KW (10 l/min at 150 bar) for operation with shovel
- Electric 9 KW (30 l/min at 150 bar) for operations with cutting head or hydraulic hammer

On special request GATTO RC could be developed 800 [mm] high.

