

LOMBRICO ATEX

Lombrico, in the last few years, has become a very dependable product for any cleaning and reclaiming operation in confined spaces and suspected of pollution, contamination and explosion areas. Now a new step has being moved with the developing of LOMBRICO ATEX zone 1. Lombrico ATEX can easily work with suction excavators, vacuum trucks and industrial aspirators.



Dimensions

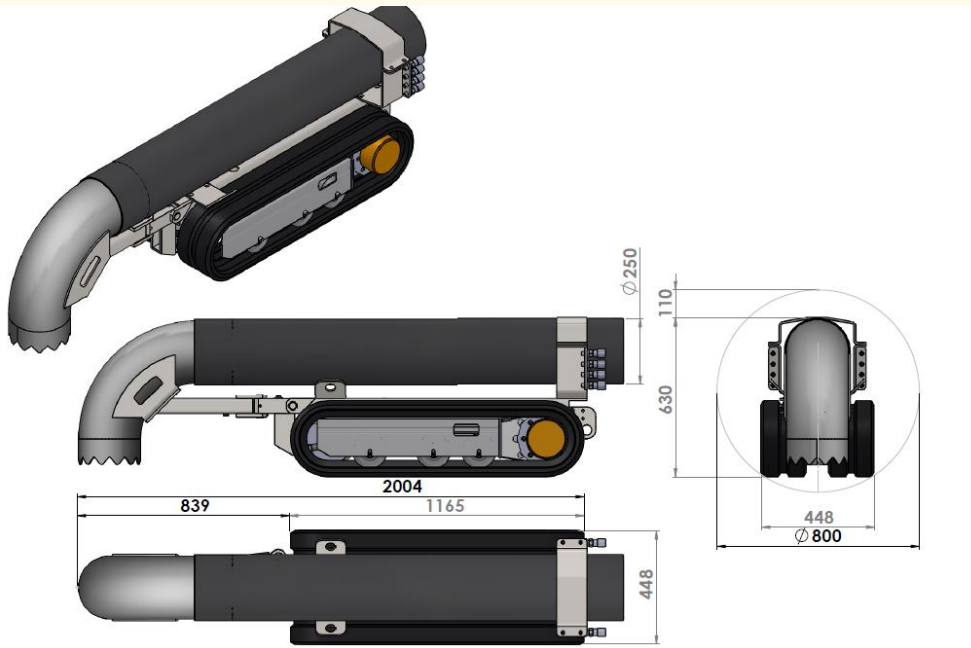
Length	2.100	[mm]
Height	650	[mm]
Width	450	[mm]
Width conf. Dozer	1.000	[mm]
Total weight	350	[Kg]

Suctionexcavator.com
GEROTTO



LOMBRICO ATEX


TECHNICAL DRAWINGS



TECHNICAL FEATURES

LOMBRICO is a tracked mini excavator operating by an external oil-pressure plant, with hydraulic manual control.

- ✓ Double tracks with hydraulic motors
- ✓ Hydraulic distributor for commanding advancement and arm movements

Atex certification zone 1 Directive ATEX 94/9/EC
Notified Body  BUREAU VERITAS inspection
Marking Atex II 2 G c IIB T4
Declaration of Conformity CE



LOMBRICO ATEX



Mini excavator components assemble and present expedients to avoid any kind of sparks or primers in explosive environments.

For instance:

- N 8 hydraulic Gas hoses 3/8" with fast connectors for dangerous environments
- Hydraulic hoses with textile support to avoid current transmissions
- Hoses in PVC fire hose
- Machinery with special protections

